

GENERAL INFORMATION

Project Name: _____

STANDARD SPECIFICATIONS

- 1" Diameter Post & Bracket in Brushed Stainless Steel Finish
- 3/8" Clear Tempered Front Glass Panels (max. span 66")
- 1/4" Clear Tempered Glass End Panels
- 1" Radius Glass Corners

OPTIONS AND ACCESSORIES

NSF-LISTED FINISH OPTIONS

- Brushed Stainless (Standard)
- Gloss Black

GLASS THICKNESS

- 1/4" Clear Tempered Front Glass Panels (max. span 54" - not for shelves)
- 3/8" Clear Tempered Front Glass Panels (max. span 66") (Standard)
- 1/2" Clear Tempered Front Glass Panels (max. span 72") - for shelf or span more than 66"

Maximum span between legs on counter is recommended at 78".

GLASS FINISHES

- Clear (Standard)
- Frosted
- Pattern
- Low Iron
- Frosted Logo/Imprint

GLASS CORNERS

- 1" Radius Corners (Standard)
- Square Corners

LIGHT & WARMER OPTIONS

All BSI light units are UL Listed. See light spec sheets for detailed information. Also available with other manufacturers' light units. Contact BSI for details.

- | Model # | Description |
|-------------------------------|------------------------|
| <input type="checkbox"/> 2580 | Slimline LED Light |
| <input type="checkbox"/> 705 | Stealth Light & Warmer |

- | Model # | Description |
|------------------------------|-------------------------------|
| <input type="checkbox"/> 790 | Stealth Warmer |
| <input type="checkbox"/> 500 | Stealth Heat/Light/Heat Combo |

MOUNTING STYLES (SELECT ONE)

See installation page for more details. Guards with lights and/or warmers require mounting at least 6" below counter depth.

Above Counter: Stainless Steel Counter

Under Counter: Stainless Steel Counter
(Requires under-counter reinforcement and access.)

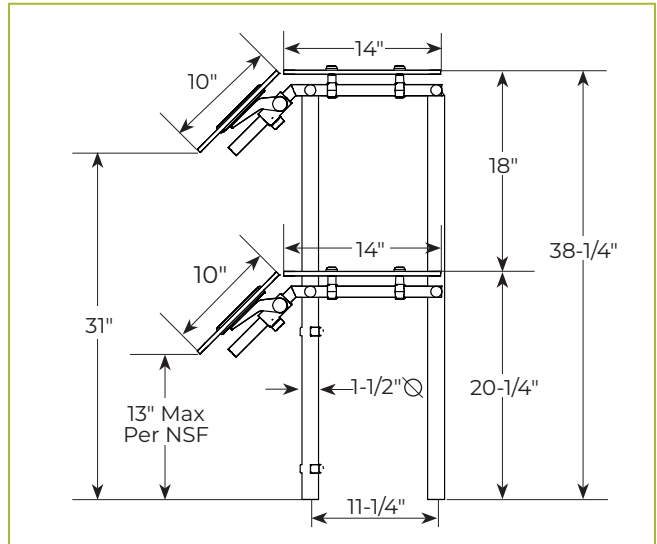
Above Counter: Millwork Counter

Under Counter: Millwork Counter
(Compression installation not recommended for solid surface countertops.)

- | | |
|---|---|
| <input type="checkbox"/> EZ Mount - 2" x 8" Flange | <input type="checkbox"/> Narrow, Inverted Flange |
| <input type="checkbox"/> Heavy-Duty, Inverted Flange | <input type="checkbox"/> Narrow, Upright Flange |
| <input type="checkbox"/> Heavy-Duty, Upright Flange | <input type="checkbox"/> Narrow Flange |
| <input type="checkbox"/> Heavy-Duty Flange | <input type="checkbox"/> Narrow, Inverted Flange |
| <input type="checkbox"/> Heavy-Duty, Inverted Flange | <input type="checkbox"/> Narrow, Compression Flange |
| <input type="checkbox"/> Heavy-Duty, Compression Flange | |

AG2945-4

Self Serve, Two Tier w/ EZ-Span
Center Bracket



To meet NSF guidelines, end panels are included on all BSI quotations unless specifically excluded. (See end panel page for more details.)